

# **Industrial Dual Band 802.11be Wireless Access Point**

**IAP-3600BE/IAP-3600BE-4PF**

Quick Installation Guide

# Table of Contents

1. Package Contents .....	3
2. Requirements .....	4
3. Device Upper Panel.....	5
3.1 Wiring the Power Inputs .....	5
3.2 Grounding the Device.....	7
3.3 Wiring the Fault Alarm Contact .....	7
3.4 Wi-Fi Antenna Installation.....	8
4. Starting Web Management .....	9
4.1 Logging on to the Industrial 802.11be Wireless AP .....	9
5. Recovering Back to Default Configuration.....	12
6. Central Management through PLANET NMS .....	13
7. Customer Support .....	14

## 1. Package Contents

Thank you for purchasing PLANET IAP-3600BE or IAP-3600BE-4PF Industrial 802.11be Wireless Access Point with 10/100/1000T LAN Ports. The descriptions of these models are as follows:

IAP-3600BE	Industrial Dual Band 802.11be 3600Mbps Wireless Access Point with 5 10/100/1000T LAN Ports
IAP-3600BE-4PF	Industrial Dual Band 802.11be 3600Mbps Wireless Access Point with 4-Port 802.3at PoE

“**Industrial 802.11be Wireless AP**” mentioned in this Quick Installation Guide refers to the above two models.

Open the box of the “**Industrial 802.11be Wireless AP**” and carefully unpack it. The box should contain the following items:

	IAP-3600BE	IAP-3600BE-4PF
Industrial 802.11be Wireless AP	1	1
Quick Installation Guide Sheet	1	1
PLANET CloudViewer Quick Guide	1	1
Wall Mounting Kit	1	1
Wi-Fi Antenna	2	2
Antenna Dust Caps	2	2
RJ45 Dust Caps	5	5
SFP Cap	--	1

If any item is found missing or damaged, please contact your local reseller for replacement.

## 2. Requirements

- Workstations running Windows 7/8/10/11, macOS 10.12 or later, Linux Kernel 2.6.18 or later, or other modern operating system are compatible with TCP/IP protocols.
- Workstations are installed with Ethernet NIC (Network Interface Card)
- Ethernet Port Connection
  - Network cables -- Use standard network (UTP) cables with RJ45 connectors.
  - The above PC is installed with Web browser.



Note

It is recommended to use Google Chrome, Microsoft Edge or Mozilla Firefox to access the Industrial 802.11be Wireless AP. If the Web interface of the Industrial 802.11be Wireless AP is not accessible, please turn off the anti-virus software or firewall and then try it again.

### 3. Device Upper Panel

The Upper Panel of the Industrial 802.11be Wireless AP consists of two terminal block connectors within 6 contacts. Please follow the steps below to insert the power wire.

#### 3.1 Wiring the Power Inputs

1. Input Voltage: 9-54V DC.(For IAP-3600BE)
2. Input Voltage: 48-54V DC.(For IAP-3600BE-4PF)
3. Insert positive and negative DC power wires into Contacts 1 and 2 for Power 1, or Contacts 5 and 6 for Power 2, respectively.

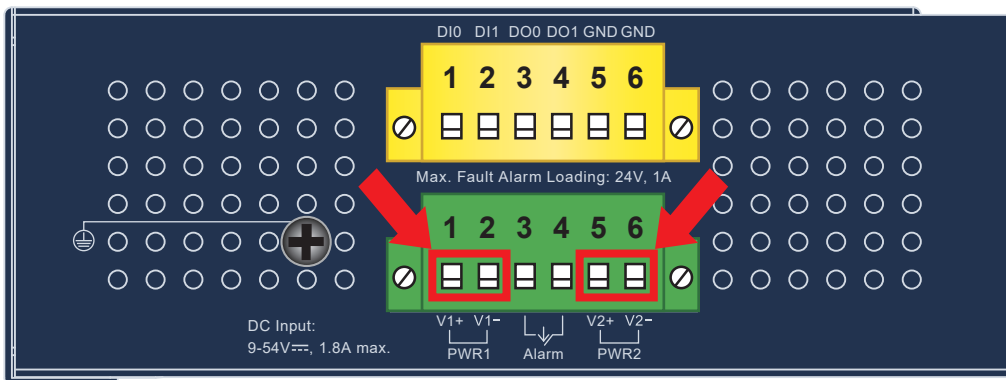


Figure 3-1: IAP-3600BE Upper Panel Power Input

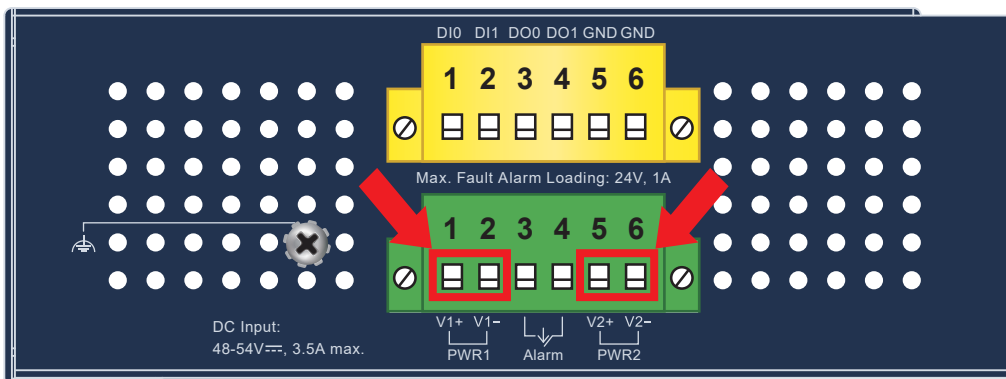


Figure 3-2: IAP-3600BE-4PF Upper Panel Power Input



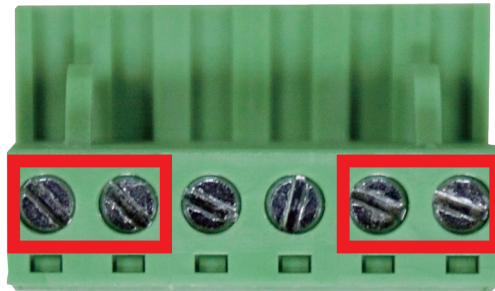
Caution

When performing any of the procedures like inserting the wires or tightening the wire-clamp screws, make sure the power is OFF to prevent from getting an electric shock.



Please ensure that the input voltage complies with the specifications of the Industrial 802.11be Wireless AP.

4. Tighten the wire-clamp screws for preventing the wires from loosening.



1	2	3	4	5	6
V1+	V1			V2+	V2-
Power 1			Power 2		



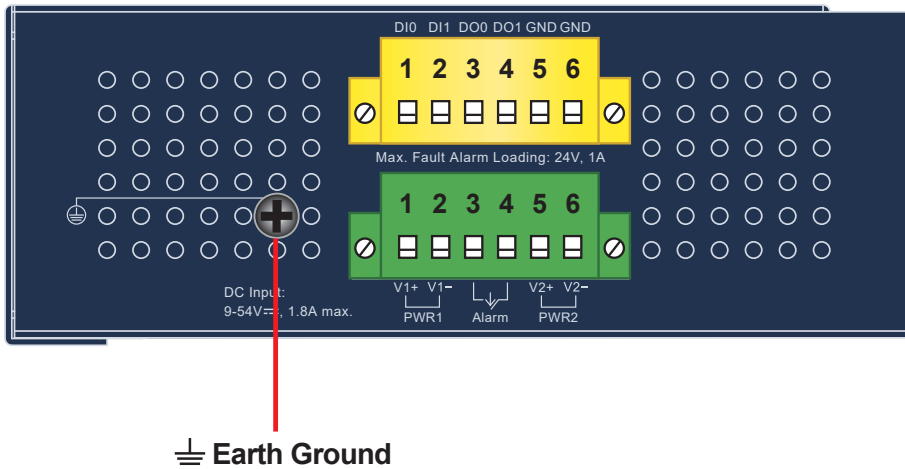
The wire gauge for the terminal block should be in the range from **12** to **24** AWG.



PWR1 and PWR2 must provide the **same DC voltage** while operating with dual power input.

### 3.2 Grounding the Device

Users **MUST** complete grounding wired with the device; otherwise, a sudden lightning could cause fatal damage to the device.



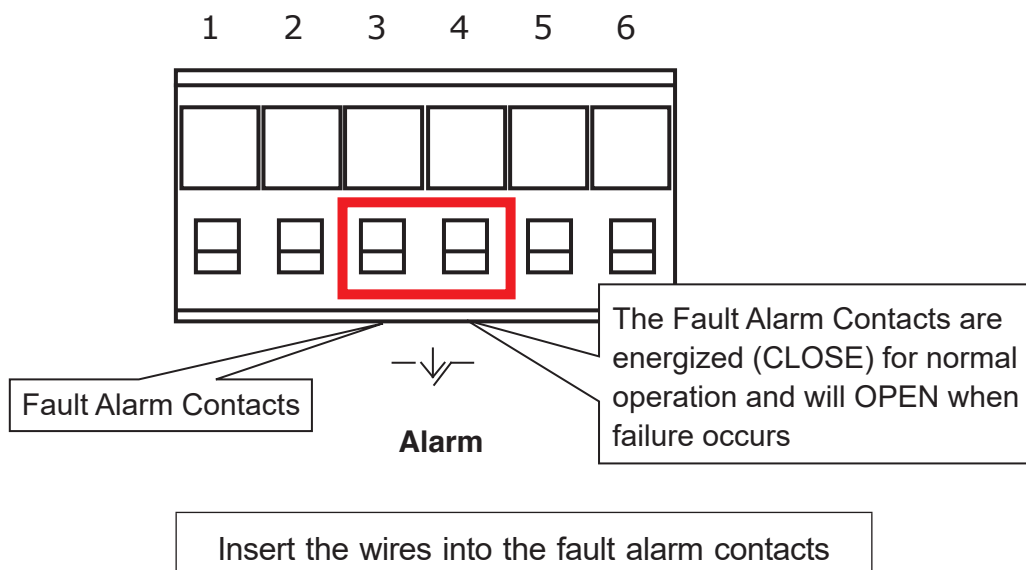


**EMD (Lightning) DAMAGE IS NOT COVERED UNDER WARRANTY.**

Note

### 3.3 Wiring the Fault Alarm Contact

The fault alarm contacts are in the middle of the terminal block connector as the picture shows below. Inserting the wires, the Industrial 802.11be Wireless AP will detect the fault status of the power failure or port failure and then will form an open circuit. The following illustration shows an application example for wiring the fault alarm contacts.





Note

1. The wire gauge for the terminal block should be in the range between 12 and 24 AWG.
2. Alarm relay circuit accepts up to 24V (max.) and 1A current.

### 3.4 Wi-Fi Antenna Installation

**Step 1:** Fasten the antennas to the antenna connectors on the front panel of the Industrial 802.11be Wireless AP.

**Step 2:** You can bend the antennas to fit your actual needs.



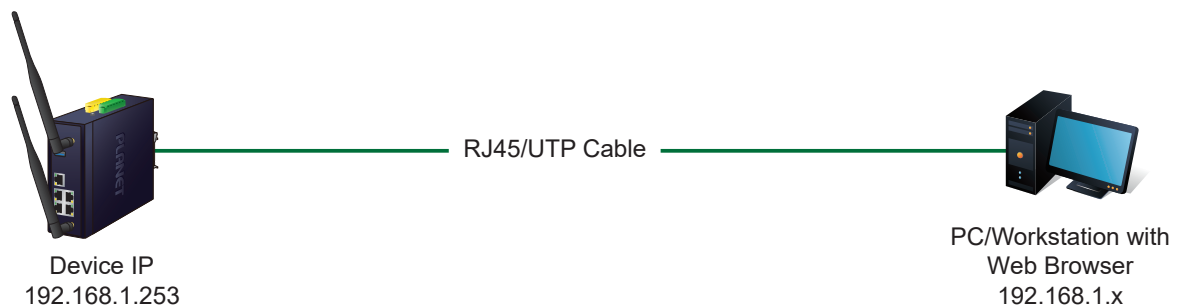
**Figure 3-3:** Industrial 802.11be Wireless AP with Wi-Fi Antenna



## 4. Starting Web Management

The following shows how to start up the **Web Management** of the Industrial 802.11be Wireless AP. Note the Industrial 802.11be Wireless AP is configured through an Ethernet connection. Please make sure the manager PC must be set to the same **IP subnet address**.

For example, the default IP address of the Industrial 802.11be Wireless AP is **192.168.1.253**, then the manager PC should be set to **192.168.1.x** (where x is a number between 1 and 254, except 253), and the default subnet mask is 255.255.255.0.



**Figure 4-1:** IP Management Diagram

### 4.1 Logging on to the Industrial 802.11be Wireless AP

1. Use Chrome or other Web browser and enter IP address **<https://192.168.1.253>** (the factory default IP address) to access the Web interface.
2. When the following dialog box appears, please enter the default user name and password. The login screen in Figure 4-2 appears.

Default IP Address: **192.168.1.253** (The default IP address will be 192.168.1.253 if there is no DHCP server in the local network.)

Default Username: **admin**

Default Password: **ap + the last 6 characters of the MAC ID in lowercase**

Default 2.4GHz SSID: **PLANET\_2.4G**

Default 5GHz SSID: **PLANET\_5G**

Find the MAC ID on your device label. The default password is "ap" followed by the last six lowercase characters of the MAC ID.

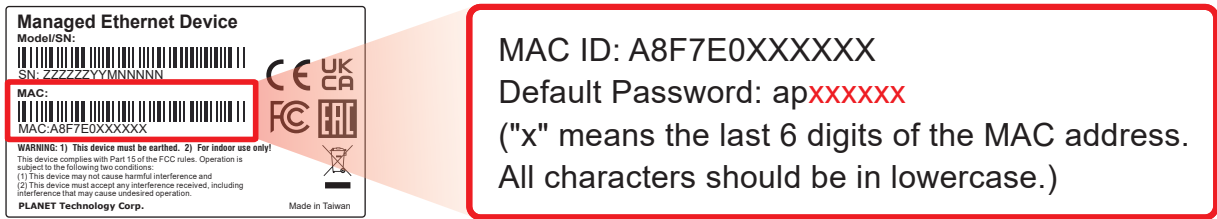



Figure 4-2: MAC ID



Figure 4-3: Web Login Screen

 Note

The following web screen is based on the IAP-3600BE; the display of the IAP-3600BE is the same as that of the IAP-3600BE-4PF.

3. The Industrial 802.11be Wireless AP supports four operation modes:

- Gateway Mode
- AP Mode (Default)
- WISP Mode

Please follow the wizard to do the first-time setup and select the mode preferred.



**Figure 4-4:** Web Wizard Operation Mode of Industrial 802.11be Wireless AP

4. After Web setup wizard is completed, enter the new username and password. The main screen appears as Figure 4-5 shows.



**Figure 4-5:** Web Main Screen of Industrial 802.11be Wireless AP

Now you can use the Web management interface to continue the Industrial 802.11be Wireless AP management.

Please refer to the user’s manual for more.

## 5. Recovering Back to Default Configuration

### ■ IP address has been changed or admin password has been forgotten

To reset the IP address to the default IP address "192.168.1.253" or reset the login password to default value, press the hardware reset button on the front panel for about **10 seconds**. After the device reboots, you can access the management web interface from a host within the 192.168.1.xxx subnet. After the device reboots, you can access the management web interface from a host within the 192.168.1.xxx subnet. After the device reboots, you can access the management web interface from a host within the 192.168.1.xxx subnet. After the device reboots, you can access the management web interface from a host within the 192.168.1.xxx subnet. After the device reboots, you can access the management web interface from a host within the 192.168.1.xxx subnet.

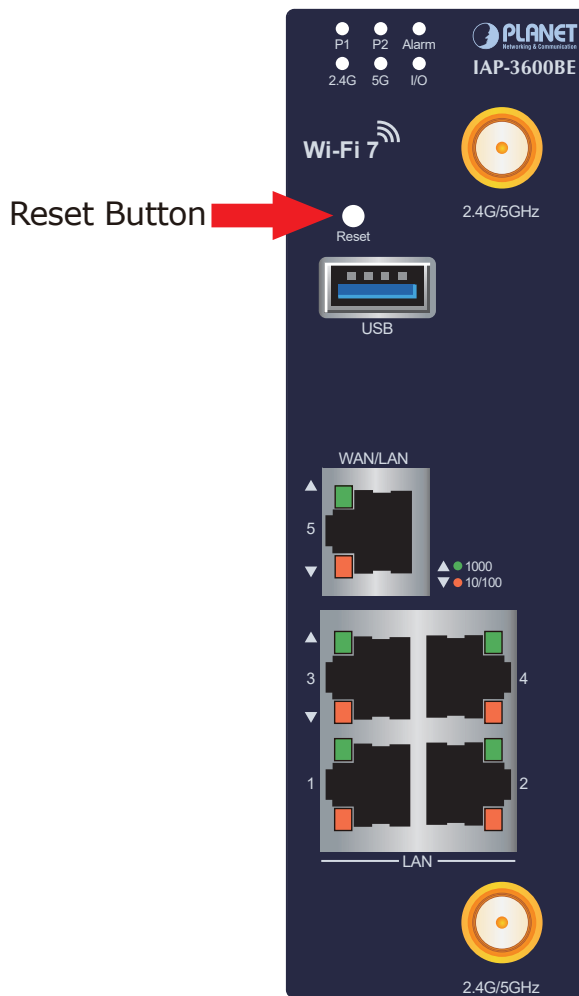


Figure 5-1: Industrial 802.11be Wireless AP Reset Button

## 6. Central Management through PLANET NMS

Follow the steps below to discover the managed AP through PLANET NMS controller (NMS-500/NMS-1000V). Please ensure each managed AP uses a different static IP in the same subnet before physically connecting to the managed network.

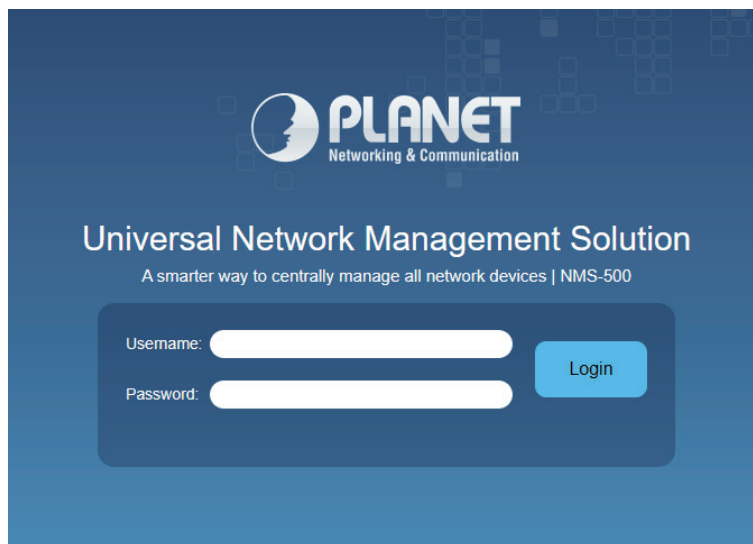


Note

Please regularly check PLANET website for the latest compatible list of the controller/managed APs in each firmware version.

**Step 1:** Launch the Web browser (Google Chrome is recommended.) and enter the default IP address <https://192.168.1.100:8888> of the NMS controller. Then, enter the default username and password **"admin"** to log on to the system.

\* The secure login with SSL (HTTPS) prefix is required.



**Step 2:** Go to the **"Domain"** page to discover and add the managed AP to the device list. Then, you can go to the **"AP Control-> AP Management"** page to configure pre-defined profiles to the managed AP without logging on to the AP's web page.

For further information about the configuration of Managed AP by using PLANET Smart AP Control, refer to the configuration guide to the NMS controller (NMS-500/NMS-1000V).

## **7. Customer Support**

Thank you for purchasing PLANET products. You can browse our online FAQ resource on PLANET web site first to check if it could solve your issue. If you need more support information, please contact PLANET switch support team.

PLANET online FAQs:

<https://www.planet.com.tw/en/support/faq>

Support team mail address:

[support@planet.com.tw](mailto:support@planet.com.tw)

IAP-3600BE and IAP-3600BE-4PF User's Manual:

<https://www.planet.com.tw/en/support/downloads?&method=keyword&keyword=IAP-3600BE&view=3#list>



Copyright © PLANET Technology Corp. 2025.

Contents are subject to revision without prior notice.

PLANET is a registered trademark of PLANET Technology Corp.

All other trademarks belong to their respective owners.